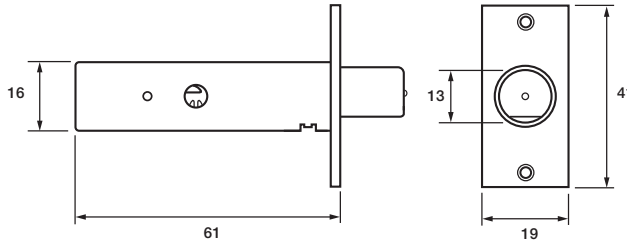


8006 High Security Door Bolt



- As the 8002 with additional Security
- Hardened bolt giving added sawing protection
- Metal sleeve around key mechanism giving added drilling protection



Prod Code

V-8006-2-PL
V-8006-2-WE

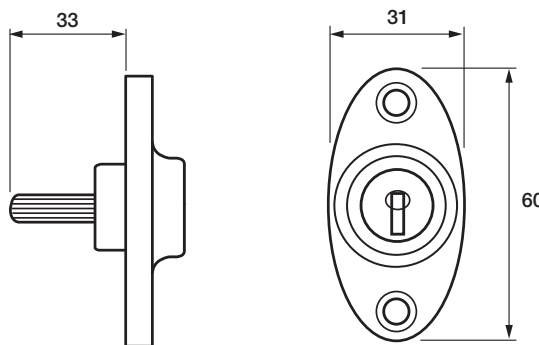
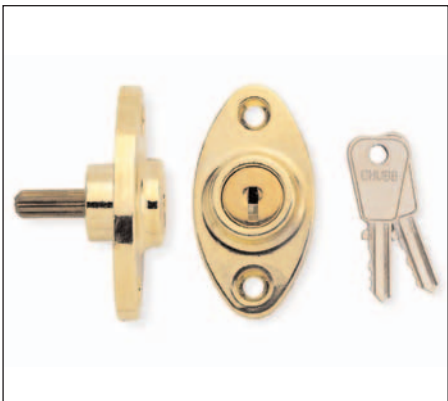
Finish

Brass
White

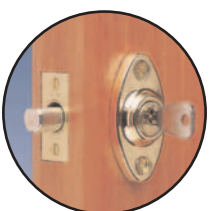
Pack

2 in pack
2 in pack

8K117 Door Bolt Upgrade Cylinder



- Provides a security upgrade from a universal key to a unique key mechanism for a mortice door bolt



Prod Code

V-8K117-EB
V-8K117-WE

Finish

Brass
White

Pack

1 in pack
1 in pack